



JC-128

Wine Cooler

46 Bottle Capacity

Owner's Manual

**Please read this owner's
manual carefully before
operating the unit.**



INTRODUCTION

Thank you for purchasing the Soleus Air JC-128 Wine Cooler / Beverage Center. This unit is designed to improve your living and entertaining comfort. With its whisper quiet operation and attractive design, you will enjoy its convenience and comfort for years to come.

Please read these instructions carefully before operating this appliance. When using this appliance, always exercise basic safety precautions.

This easy-to-use manual will guide you to getting the best use of your 46 bottle Wine Cooler.

Please complete the following information for future reference. You will need it to obtain warranty service.

Model Number
JC-128

Serial Number *: _____

Date of Purchase: _____

Place of Purchase: _____

*The Serial number is located on the back of the unit. Retain this Owner's Manual with your sales receipt as a permanent record of your purchase.

TABLE OF CONTENTS

| | PAGE |
|--|-------------|
| Introduction | 2 |
| Reference Information | 2 |
| Table of Contents | 3 |
| Package Content | 3 |
| Important Safeguards | 4 |
| Getting to know your Wine Cooler | 5 |
| Preparing Your Wine Cooler for Use | 6 |
| Unpacking your Wine Cooler | 6 |
| Connecting Your Wine Cooler | 6 |
| Operating Procedures & Maintenance..... | 7 |
| Cleaning Your Wine Cooler | 7 |
| Moving Your Wine Cooler | 7 |
| Temperature Range Guide | 7 |
| Defrosting Your Wine Cooler | 8 |
| Wine Cooler Door | 8 |
| Door Reversal Instructions | 8 |
| Troubleshooting | 9 |
| Parts Breakdown Diagram | 10 |
| Technical Specifications | 11 |
| Contact Information | 11 |
| Warranty | 12 |

PACKAGE CONTENT

Wine Cooler
5 removable wine racks
1 flat type half shelf
1 (staggered) lower shelf
User's Manual

IMPORTANT SAFEGUARDS

Before you use your Wine Cooler, please read this owner's manual carefully.

Use this appliance only for its intended purpose as described in this owner's manual.

This wine cooler must be properly installed in accordance with the installation instructions before it is used.

Never unplug your wine cooler by pulling on the power cord. Always grasp the plug firmly and pull straight out from the outlet.

- 1) Do not clean your beverage center with flammable fluids. The fumes can create a fire hazard or explosion.
- 2) Do not tip over.
- 3) If the wine cooler is brought in from outside in the winter season, give it a few hours to warm up to room temperature before plugging it in.
- 4) Repair or replace immediately all electric service cords that have become frayed or otherwise damaged. Do not use a cord that shows cracks or abrasion damage along its length, the plug or the connector end.
- 5) Unplug your Wine Cooler before cleaning or before making any repairs. **NOTE:** *If for any reason this product requires service, we strongly recommend that a certified technician perform the service.*
- 6) Do not operate your Wine Cooler in the presence of explosive fumes.
- 7) The power supply must be properly grounded.
- 8) Do not use an adapter plug or extension cord.
- 9) Do not store foods in wine cooler as interior temperature may not be cool enough to prevent spoilage.
- 10) Exercise caution and use reasonable supervision when appliance is used near children.

GETTING TO KNOW YOUR WINE COOLER

- 1) Thermostat Dial:
- 2) Plastic Coated Shelves:
- 3) Magnetic Gasket:
- 4) Amber Tinted Glass Door:



OPERATING PROCEDURES & MAINTENANCE

Unpacking your Wine Cooler

- 1) Remove the exterior and interior packaging.
- 2) Make sure that all the parts listed below are included with your wine cooler.
 - 5 removable wine racks
 - 1 flat type half shelf
 - 1 (staggered) lower shelf
- 3) It is advisable to clean the inside of the Wine Cooler with lukewarm water using a mild detergent and a soft cloth, and then to dry it thoroughly prior to use.
- 4) Find a location for your unit that is protected from direct sunlight and other sources of heat. Place the unit on a level surface. Make sure that there is at least 5 inches of space between the back of your unit and the wall. Avoid locating the appliance in moist areas. Too much moisture in the air will cause condensation to form, requiring more frequent defrosting of the unit.
- 5) Allow one hour for the refrigerant fluid to settle before plugging it in.
- 6) The refrigeration system of the cabinet is designed to operate with the cabinet located on a flat surface. Avoid tilting the cabinet side.

Connecting Your Wine Cooler

Improper use of the grounded plug can result in the risk of electrical shock.

This unit should be properly grounded for your safety. The power cord is equipped with a three-prong plug which mates with standard three-prong wall outlets to minimize the possibility of electrical shock.

Plug your appliance into an exclusive, properly installed, grounded wall outlet. Do not under any circumstances cut or remove the third (ground) prong from the power cord. Any questions concerning power and or grounding should be directed toward a certified electrician.

This appliance requires a standard 115/120volt, 60Hz electrical outlet with three-prong ground.

Cleaning Your Wine Cooler

- 1) Turn the temperature control to “0”, unplug the unit, and remove the bottles and shelves.
- 2) Wash the inside with a damp warm cloth containing water and baking soda solution. The solution should be about two tablespoons of baking soda to 1 quart (32 oz) of water.
- 3) Wash the shelves with a mild detergent solution.
- 4) Make sure the door gasket (seal) is kept clean in order to keep the unit running efficiently.
- 5) The outside of the beverage center should be cleaned regularly with a mild detergent solution and warm water.
- 6) Dry the interior and exterior with a soft cloth.

Moving Your Wine Cooler

- 1) Remove all contents and make sure to tape down any loose items.
- 2) To avoid damaging the leveling screws, turn them all the way into the base.
- 3) Tape the door shut.
- 4) Make sure your unit stays in the upright position during transportation.

Defrosting Your Wine Cooler

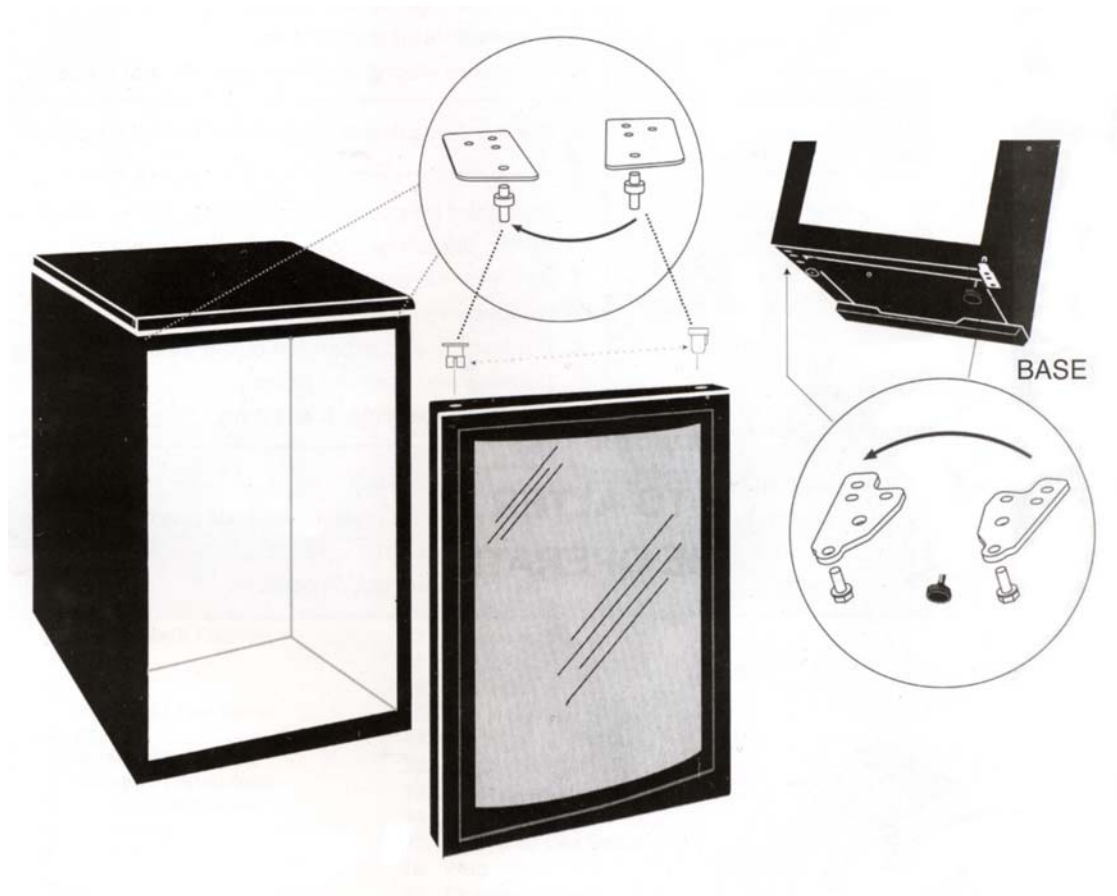
Your wine cooler is designed with an “Auto-Cycle” defrost system. The refrigerated surfaces of the unit will defrost automatically, during the “off” cycle of the cold control. Water from the unit is disposed of automatically, by means of being channeled onto a drip tray located on the compressor. Heat transfer from the compressor causes this water to evaporate.

Please Note: *Do not use boiling water to defrost because it may damage the plastic parts. In addition, never use a sharp or metallic instrument to remove frost as it may damage the cooling coils.*

WINE COOLER DOOR

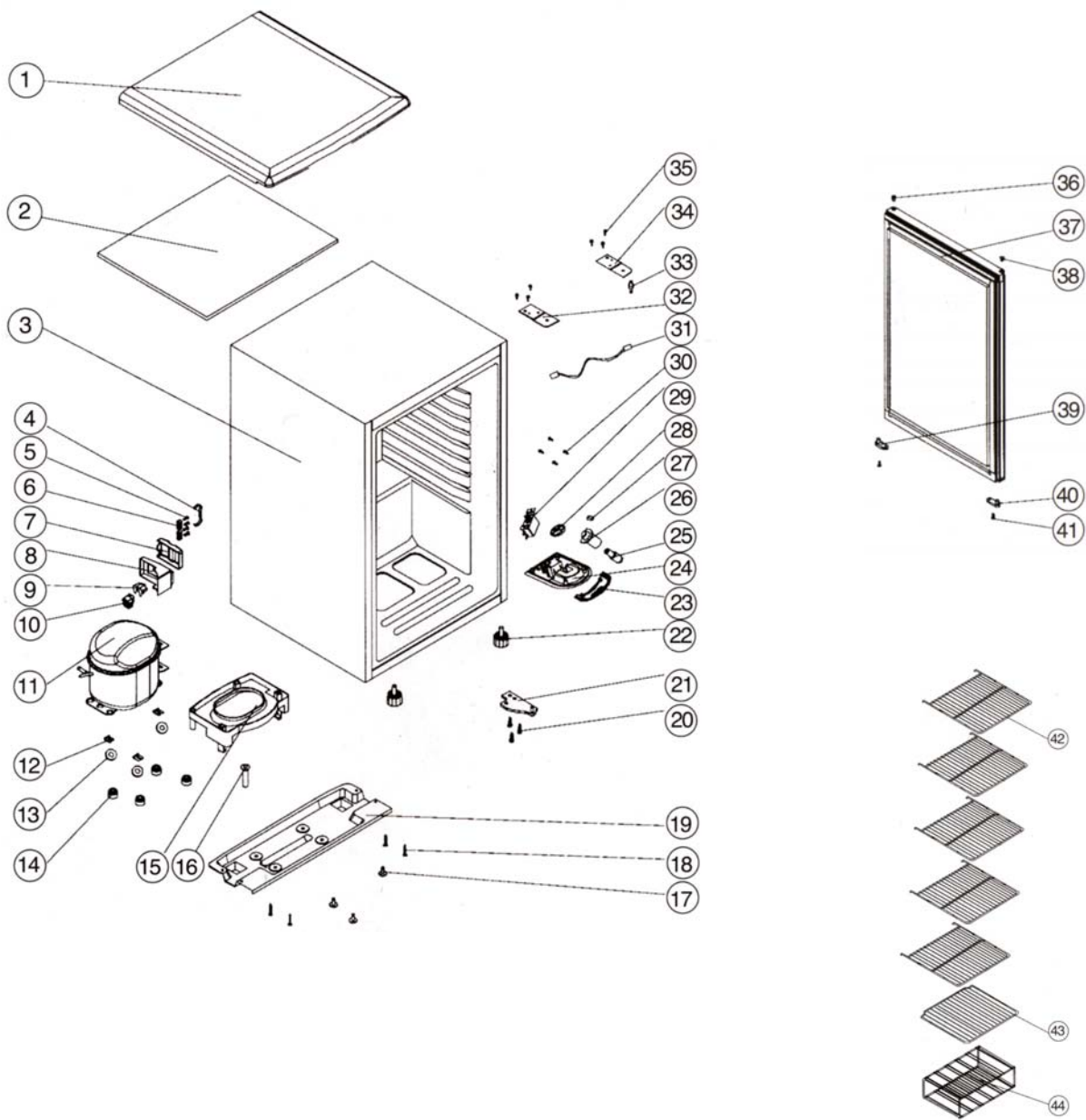
Door Reversal Instructions

Your wine cooler is built with a reversible door. You have the choice of either opening it from left or the right sides. In order to reverse the opening direction of your door, please follow these simple instructions.



TROUBLESHOOTING

| | |
|--|---|
| Wine Cooler does Not work | <ol style="list-style-type: none"> 1. It may not be plugged in 2. The circuit breaker tripped or the fuse may be blown. 3. The thermostat may be set to "0" |
| The compressor turns on and off frequently | <ol style="list-style-type: none"> 1. The room temperature is hotter than usual. 2. The wine cooler is filled to its maximum capacity. 3. The door is opened too often. 4. The door is not closed completely. 5. The thermostat is set too low. 6. The door's magnetic gasket does not seal properly. |
| Vibrations | <ol style="list-style-type: none"> 1. The wine cooler may not be leveled properly. |
| The unit makes too much noise | <ol style="list-style-type: none"> 1. Low noise may come from the flow of the refrigerant, during the refrigeration cycle, which is normal. 2. As each cycle ends, gurgling sounds caused by the flow of refrigerant in your cooler are normal. 3. Contraction and expansion of the inside walls may cause popping and crackling noises. 4. The beverage center is not level. |
| The door will not close properly | <ol style="list-style-type: none"> 1. The unit is not level. 2. The doors were reversed and not properly installed. 3. The gasket is dirty. 4. The shelves are out of position. |



1. Counter Top
2. Underneath Cushion
3. Cabin
4. Clip
5. Hex Head Cap Screw
6. Clip
7. Terminal Box Cover
8. Terminal Fasten Base
9. Overload Protector
10. PTC Relay
11. Compressor
12. Compressor Block
13. Washer
14. D-Ring
15. Water Collector Sleeve
16. Sleeve

17. Fix Axis
18. Hex Head Cap Screw
19. Compressor Support Panel
20. Hex Head Cap Screw
21. Down Hinge
22. Adjustable Foot
23. Thermostat Enclosure
24. Compensation Switch
25. Thermostat Knob
26. Thermostat
27. Hex Head Cap Screw
28. Electrical Source Line
29. Up Left Hinge

30. Upper Hinge Axis
31. Up Right Hinge
32. Hex Head Cap Screw
33. Plug
34. Complete Door
35. Plug
36. Right Door Bracket
37. Left Door Bracket
38. Hex Head Cap Screw
39. Wine Rack
40. Half Shelf
41. Lower Shelf

TECHNICAL SPECIFICATIONS

| | |
|--------------|---|
| MODEL | JC-128 |
| POWER SUPPLY | 115/120V - 60Hz |
| CAPACITY | 4.6 CU FT / 46 BOTTLES |
| TEMPERATURE | 39.2 - 61 DEGREES F BASED ON 77 – 80 DEGREE ROOM TEMPERATURE |
| DIMENSIONS | 20.5"W x22"D x33"H |
| WEIGHT | 86 LBS. |

ALL INFORMATION AND THE TECHNICAL SPECIFICATIONS PRESENTED IN THIS USER'S MANUAL ARE THE PRESENTATION OF THE MANUFACTURER. SOLEUS INTERNATIONAL HAS NOT CONDUCTED INDEPENDENT TESTS ON THE INFORMATION AND THE SPECIFICATIONS PRESENTED HERE WITHIN.

CONTACT INFORMATION

Contact For: Replacement Parts
Technical Support
Warranty Claim
Customer Service

Soleus International Inc.
9451 Telstar Ave.
El Monte, CA 91731 USA
(888) 876-5387
www.soleusair.com

ONE YEAR LIMITED WARRANTY

Soleus International Inc. warrants the accompanying Soleus Air Wine Cooler to be free of defects in material and workmanship for the applications specified in its operating instruction for a period of ONE (1) year from the date of original retail purchase in the United States or Canada.

If the air conditioner exhibits a defect in normal use, Soleus International Inc. will, at its option, either repair or replace it, free of charge within a reasonable time after the Wine Cooler is returned during the warranty period.

As a condition to any warranty service obligation, the consumer must present this Warranty Certificate along with a copy of the original purchase invoice.

THIS WARRANTY DOES NOT COVER:

- 1) Damage, accidental or other wise, to the wine cooler while in the possession of a consumer not caused by a defect in material or workmanship.
- 2) Damage caused by consumer misuse, tampering, or failure to follow the care and special handling provisions in the instructions.
- 3) Damage to the finish of the case, or other appearance parts caused by wear.
- 4) Damage caused by repairs or alterations of the wine cooler by anyone other than authorized by Soleus International Inc.
- 5) Freight and Insurance cost for the warranty service.

ALL WARRANTIES, INCLUDING ANY IMPLIED WARRANTY OF MERCHANTABILITY ARE LIMITED TO ONE-YEAR DURATION OF THIS EXPRESS LIMITED WARRANTY. SOLEUS INTERNATIONAL INC. DISCLAIMS ANY LIABILITY FOR CONSEQUENTIAL OR INCIDENTAL DAMAGES AND IN NO EVENT SHALL SOLEUS INTERNATIONAL INC.'S LIABILITY THAT EXCEEDS THE RETAIL VALUE OF WINE COOLER FOR BREACH OF ANY WRITTEN OR IMPLIED WARRANTY WITH RESPECT TO THIS WINE COOLER.